



# CSM 211

STRETCH WRAPPER

**CYKLOP**<sup>®</sup>  
GLOBAL PACKAGING SOLUTIONS

STRAPPING  
WRAPPING  
CODING  
TAPING

The CSM 211 robot wrapper is a flexible mobile stretch wrapper. The wrapper can be moved to any desired location by means of a handle with controls. Due to its flexible nature, the wrapper can handle any package in any size. The film is replaced very quickly in the controlled film trolley. Operation is easy with touch keys.

The machine has a modular structure, which means that the machine can be used for both light as intensive usage.

**Most important features:**

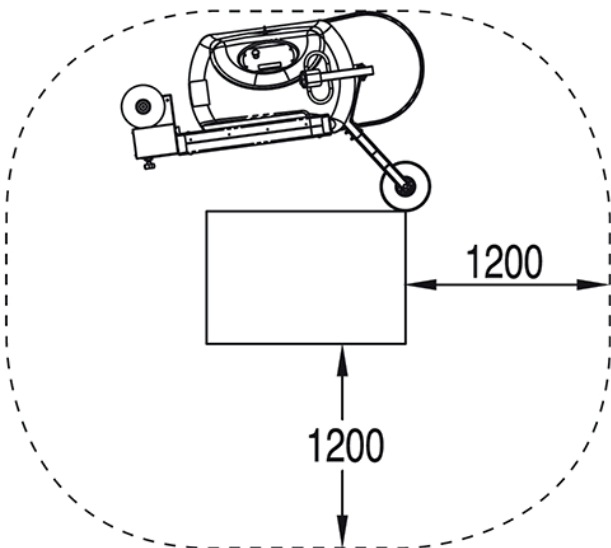
- 6 different wrapping programs
- Adjustable robot speed
- Adjustable film trolley speed
- Adjustable number of lower and upper windings
- Pallet height detection
- Wrapping up and down

**Options:**

- Extended mast
- Automatic cutting unit
- Other options on request



> [Click here for a video of the CSM 211](#) <



Technical data:	
Machine weight	325 kg
Wrapping height	2100 mm
Max. prod. capacity	20 pallets/hour
	150 pallets per battery charge
Speed	60 meters/minute
Min. pallet dimensions	600 x 600 mm
Power supply	230 V, 50/60 Hz

Cyklop UK Limited  
 Unit 2, Generation Business Park  
 Barford Road  
 St. Neots  
 Cambridgeshire  
 PE19 6YQ

+44 1480 216777  
[www.cyklop.co.uk](http://www.cyklop.co.uk)  
[info@cyklop.co.uk](mailto:info@cyklop.co.uk)

