



CSA 211 / 212

STRETCH WRAPPER

CYKLOP[®]
GLOBAL PACKAGING SOLUTIONS

STRAPPING
WRAPPING
CODING
TAPING

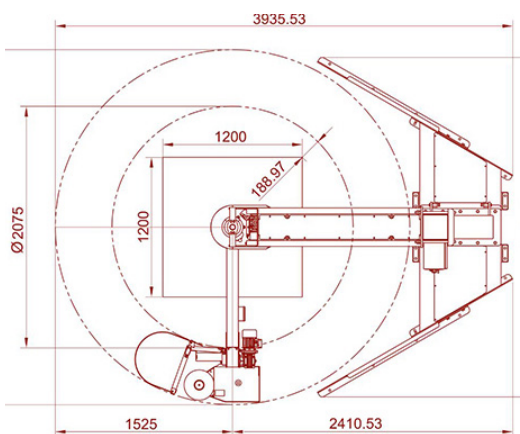
The pallet wrapper CSA 211/212 is a free arm wrapper which is the best choice for heavy pallets, pallets with an unstable load or pallets with a very light load. The pre-stretching system in combination with the long service life and low maintenance ensure a high cost saving on material consumption and general machine use. The wrapper can store up to 99 programs. With the CSA 211 / 212 pallets with a height of up to 2500 mm can be wrapped professionally.

Advantages

- Geared drive mechanism
- Full control of speed and film coverage
- Processes up to 20 pallets per hour
- Extremely suitable for heavy pallets and unstable loads

Options

- Automatic cutting unit
- Stainless steel version
- Extended mast up to 3000 mm
- Pressure plate
- Wall mount
- Roping (securing load to the pallet)
- Electromagnetic clutch (CSA 211)
- With motorized pre-stretching system (CSA 212)



Technical specifications:	
Wrapping speed	5 - 11 rpm
Pre-stretch	150% - 200% - 250% (CSA 212)
Max. pallet dimensions	1200 x 1200 mm
Max. pallet height	2500 mm
Total power installed	1,2 Kw
Power supply	230 V - 1 phase - 50/60 Hz - 6A
Pressure	6 Bar
IP Rating	IP 54

Cyklop UK Limited
 Unit 2, Generation Business Park
 Barford Road
 St. Neots
 Cambridgeshire
 PE19 6YQ

+44 1480 216777
www.cyklop.co.uk
info@cyklop.co.uk

