



CM 220

THERMAL INKJET PRINTER



With the new and innovative CM 220 inkjet printer controller, Cyklop takes the next step in ease of use. A color touchscreen with a screen diagonal of 177 mm. provides easy operation and control of printing functions. At a glance you can see, among other things, the print speed, the currently selected print image and the filling level of the ink cartridges.

The information to be printed, such as texts, date, time, logos or barcodes, can be easily and conveniently programmed using the touchscreen. With resolutions up to 600 dpi and print lengths up to 2 meters, virtually unlimited printing options are possible.

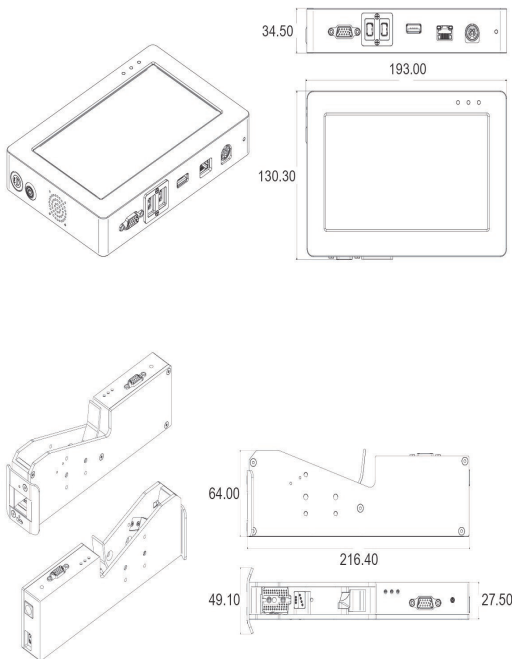
For printing at two locations, an optional second printhead can be connected to the controller.

Maintenance or repair costs are reduced to virtually zero with the new CM 220 in combination with our cartridges. This will also guarantee you a high reliability and the lowest cost.

**Flexible**

The CM 220 is available in 3 options:

- 1) CM 160, with 1/2" (12.7mm) HP printing technology.
- 2) CM 160 T, a new 1" (25.4mm) print head for printing more information.
- 3) CM 160 F, a new 1/2" (12.7mm) MEK version for longer print distance and quick-drying ink.



Technical data	
Print technology	Thermal Inkjet
Print distance	Up to 10 mm, dependent on printhead
Print height	Up to 25,4 mm (1") per printhead
Print speed	Up to 76 m/min at 300 dpi
Resolution	Max 600 dpi
Storage	8 Gb
Dimensions Controller (L x W x H)	193 x 130,3 x 34,5 mm
Dimensions printhead	Miscellaneous - upon request
Font type	Windows True Fonts
Display	7" color display
Power	AC 100 – 240V, 50/60Hz, 2,5A
Ink	Water and solvent
Environment temperature	5° to 50° C

Cyklop UK Limited  
 Unit 2, Generation Business Park  
 Barford Road  
 St. Neots  
 Cambridgeshire  
 PE19 6YQ

+44 1480 216777  
[www.cyklop.co.uk](http://www.cyklop.co.uk)  
[info@cyklop.co.uk](mailto:info@cyklop.co.uk)

