

AMPAG BOXER II-Y

STRAPPING MACHINE

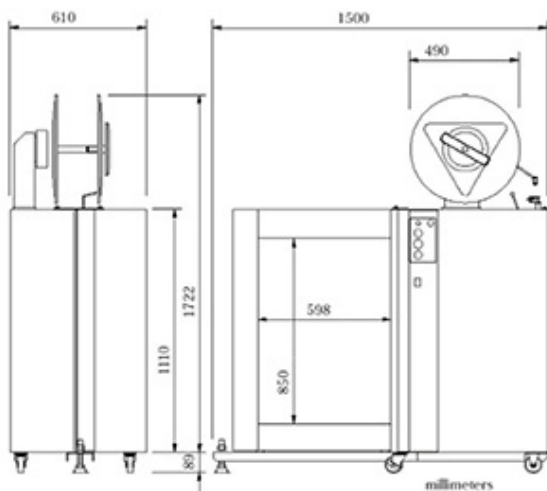
CYKLOP[®]
GLOBAL PACKAGING SOLUTIONS

STRAPPING
WRAPPING
CODING
TAPING

The Ampag Boxer II-Y is a strapping machine with a laterally positioned strapping head, which reduces the impact of dust, sand and dirt. The strap tension is easily adjustable from 50 - 450 N, making the Ampag Boxer II-Y suitable for strapping a wide range of products. This machine is also easy to integrate into a fully automatic packaging line. The machine has built-in DC motors, so that it only emits sound when making the strapping.

Advantages

- For PP strap: 5, 9, 12, 16 mm
- Direct drive by DC motors
- Up to 50 cycles per minute
- Easy strap insertion in the event of an injection fault
- Side sealer – resistant against dust, sand and dirt
- Automatic re-feed function in the event of an ejection fault
- Adjustable strap tension
- Quick to heat (within 25 seconds)
- Easy to integrate in (existing) packaging lines



Technical specifications

Speed	Up to 50 cycl./ min
Minimum package size	30 x 80 mm
Arch size	Width: 400 - 1600 mm Height: 600 - 2250 mm
Strapping material	Polystrap 5, 9, 12, 15,5 mm
Coil	Core diameter: 200 mm Outer diameter: 490 mm Width: 190 mm
Strap tension	50 – 450 N
Strapping	Heat seal
Noise	78-85 dB(A)
Warming up	Approx. 30 sec.
Voltage	230 V, 50 Hz, 1 Ph., 0,65 kVa

Cyklop UK Limited
 Unit 2, Generation Business Park
 Barford Road
 St. Neots
 Cambridgeshire
 PE19 6YQ

+44 1480 216777
www.cyklop.co.uk
info@cyklop.co.uk

